



PARADE L-1 L-2 L-3 L-4

LINEAR MODULES

Available in four different lengths for maximum modular efficacy, the newly engineered **PARADE L** features unquestionably powerful luminous flux with real uniform colour coverage even on close-up installations for truly powerful wall grazing enhancement especially on large-scale architectural elements. The new assortment of premium class RGBW LEDs, now featuring 4000K natural white, delivers the widest range of chromatic combinations. Cold white, warm white, tunable white or, on request, single-colour configurations, complement a versatile selection of linear solutions. Responding to the most innovative lighting design needs, the independent pixel version has been specifically developed to create dynamic visual concepts on large-scale architectural spaces, where video animation or graphic patterns can be displayed to generate an eye-catching lighting show.

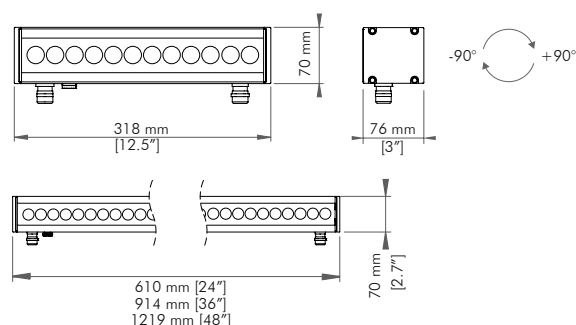


PARADE L-1 L-2 L-3 L-4

GRIVEND 

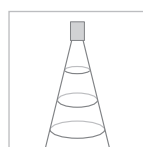
PARADE L-1 L-2 L-3 L-4

GRIVEND



BEAM ANGLE REFERENCE

RGBW		WHITE LIGHT	
SPOT	7°	SPOT	12°
NARROW	11°	NARROW	15°
MEDIUM	21°	MEDIUM	25°
WIDE	43°	WIDE	48°
EXTRA WIDE	69°	EXTRA WIDE	59°
ELLIPTICAL	9°x41°	ELLIPTICAL	14°x39°
ELLIPTICAL WIDE	20°x38°	ELLIPTICAL WIDE	23°x38°
WALL WASH	13°(5° incline)x37°	WALL WASH	19°(5° incline)x38°



MAX OUTPUT
7560 lm
(SP CW configuration)

PHOTOMETRIC DETAILS AVAILABLE ON OUR WEBSITE

FEATURES AND OPTIONS



ACCESSORIES



AL5058 C START LINE BOX (with connectors)
AL5058 M START LINE BOX (without connectors)
AL5167 C REPOWER BOX (with connectors)
AL5167 M REPOWER BOX (without connectors)
AL5059 C DMX JUNCTION BOX (with connectors)
AL5059 M DMX JUNCTION BOX (without connectors)



AL5096 VISOR L-1
AL5097 VISOR L-2
AL5098 VISOR L-3
AL5099 VISOR L-4



AL5055 80mm BRACKETS
AL5056 160mm BRACKETS
AL5057 260mm BRACKETS



AL5103 SNOOT L-1
AL5104 SNOOT L-2
AL5105 SNOOT L-3
AL5106 SNOOT L-4



AL5174 BEEHIVE L-1
AL5175 BEEHIVE L-2
AL5176 BEEHIVE L-3
AL5177 BEEHIVE L-4



AL8264 1 m CONNECTION CABLE
AL8265 2 m CONNECTION CABLE
AL8266 3 m CONNECTION CABLE
AL8267 5 m CONNECTION CABLE
AL8268 10 m CONNECTION CABLE



AL5169 DMX TERMINATOR



AL1321 INFRARED REMOTE CONTROL

CODES

AL5060 PARADE L-1
 AL5061 PARADE L-1 PE
 AL5070 PARADE L-3
 AL5071 PARADE L-3 PE

AL5065 PARADE L-2
 AL5066 PARADE L-2 PE
 AL5075 PARADE L-4
 AL5076 PARADE L-4 PE

OPTICS

SP Spot
 NA Narrow
 ME Medium
 WI Wide
 EW Extra wide
 EL Elliptical
 WL Elliptical Wide
 WW Wall Wash

LED TYPE

RN RGB+W 4000K
 DW From 2700K to 6500K
 CW Cold White 6500K
 NW Natural White 4000K
 WW Warm White 3000K

CONTROL SYSTEM

R DMX-RDM
 S Self-addressing
 D DALI
 I Independent Pixels

FINISH

W White RAL 9003
 G GRIVEN Grey
 A Anthracite RAL 7016
 B Black RAL 9005

CABLE TYPE

C Monocable with connectors
 M Monocable without connectors

NOTES

One Infrared Remote Control AL1321 must always be purchased for DMX/RDM and independent pixels versions, unless an RDM compatible control is used. More PARADE L units can be controlled with one AL1321. PARADE L must always be purchased with fixing brackets (see accessories).

TECHNICAL SPECIFICATIONS

The linear bars of the PARADE L series are high luminance IP67 linear modules, whose extruded aluminium body hosts either 12, 24, 36 or 48 high brightness RGBW or Dynamic White LEDs or 6, 12, 18 or 24 Cold White, Natural White, Warm White or, on request, monochrome power LEDs. Dimensions: 318/610/914/1219 mm x 76 mm x 70 mm. Available in DMX, Automatic and Master-Slave mode, they also feature RFU (Remote Firmware Update) and RDM (Remote Device Management) functions. Self-addressing, DALI or Independent Pixel control available on request. One Infrared Remote Control AL1321 must always be purchased in order to access DMX addressing, stand-alone operations and DMX channels configurations for DMX/RDM and Independent Pixels versions, unless an RDM compatible control is used. Power supply: standard 100÷277V / 50-60Hz. Power consumption: L-1 0.097A @ 230V / 21W max. L-2 0.19A @ 230V / 42W max. L-3 0.28A @ 230V / 63W max. L-4 0.37A @ 230V / 84W max. An Electrical Class I appliance, it also features self-resetting fuse protection as well as integrated electronic thermal protection management. The Polar Edition, fitted with an integrated de-icing system with electrically heated glass, is available on request. Operating temperature: -40°C to 50°C (-40°F to 122°F).

DIGITAL CONTROL SYSTEM SPECIFICATIONS AND CONFIGURATIONS AVAILABLE ON OUR WEBSITE

